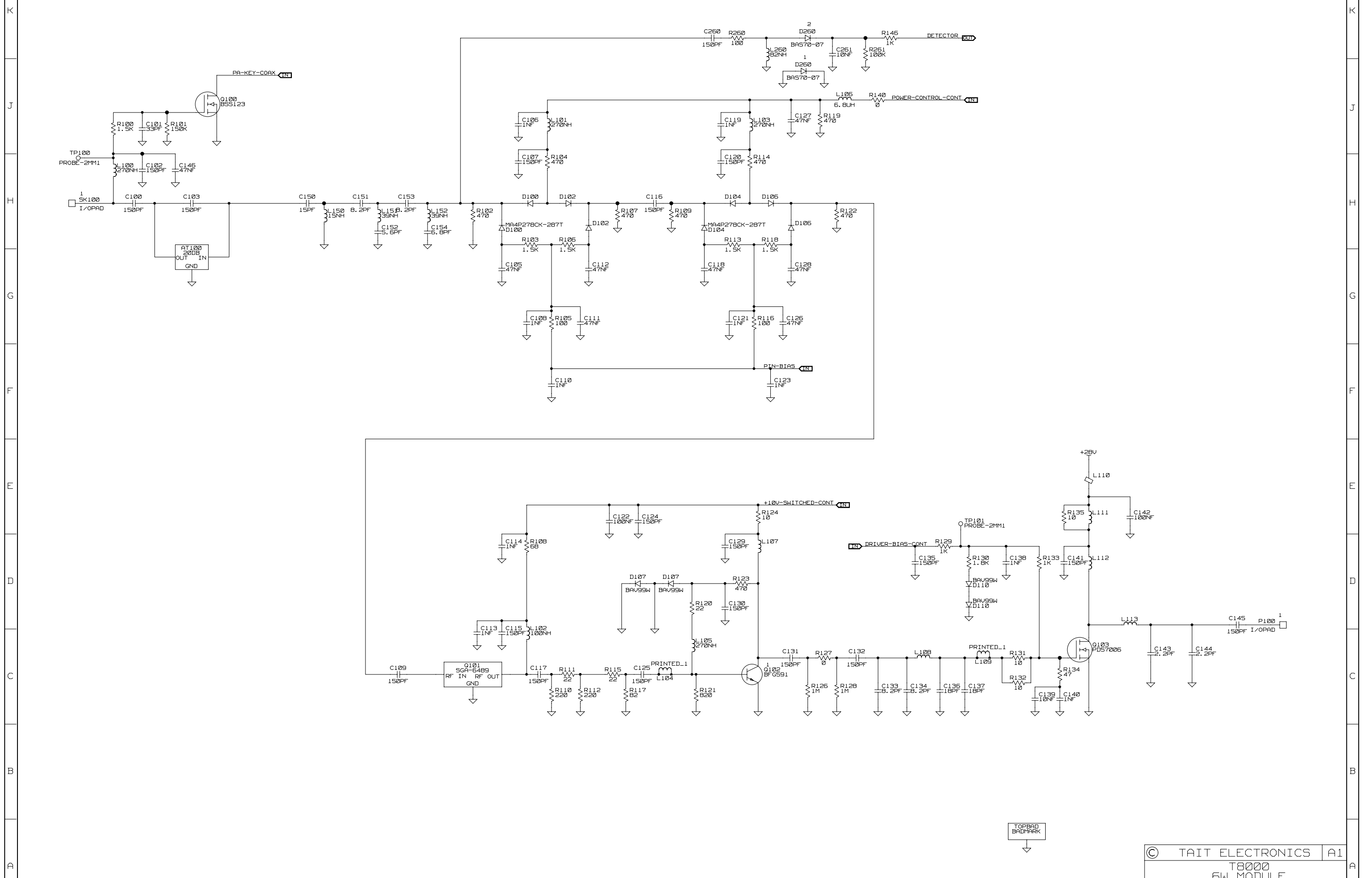


1 2 3 4 5 6 7 8 9 10 11 12 13 14

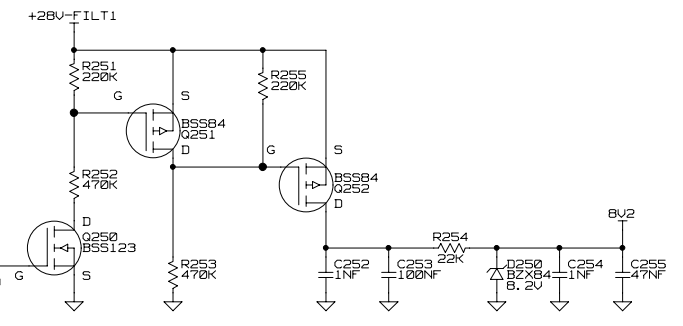
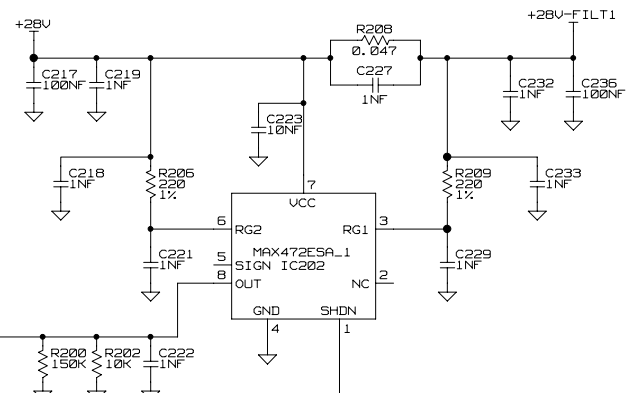
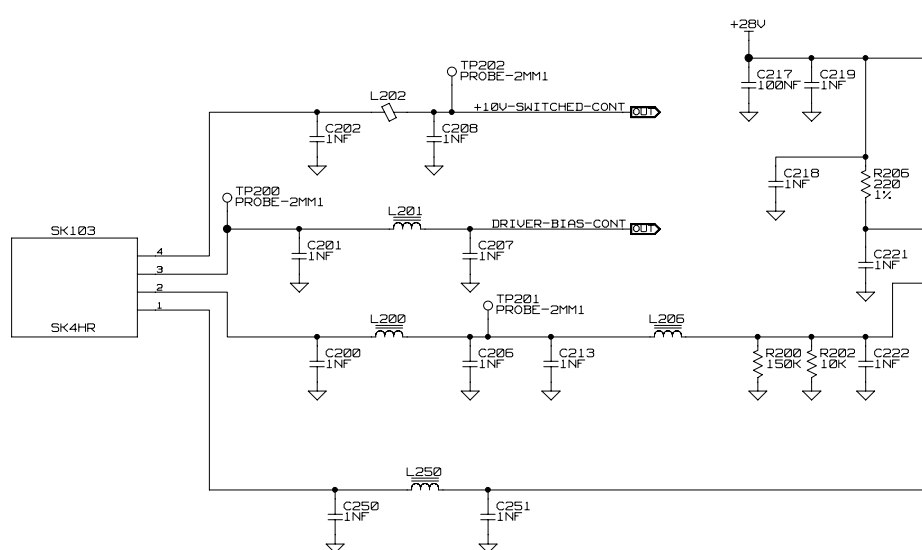
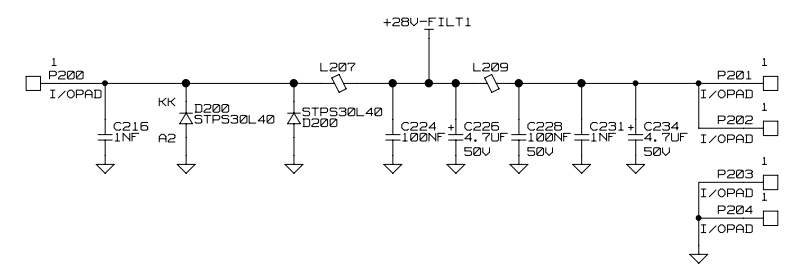
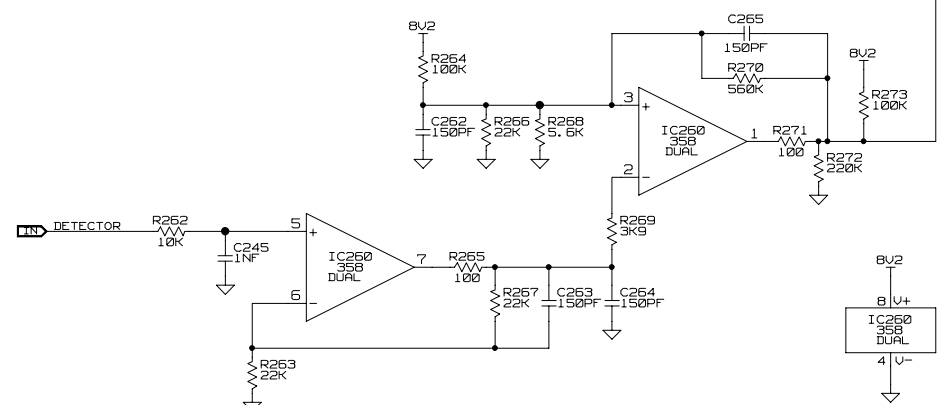
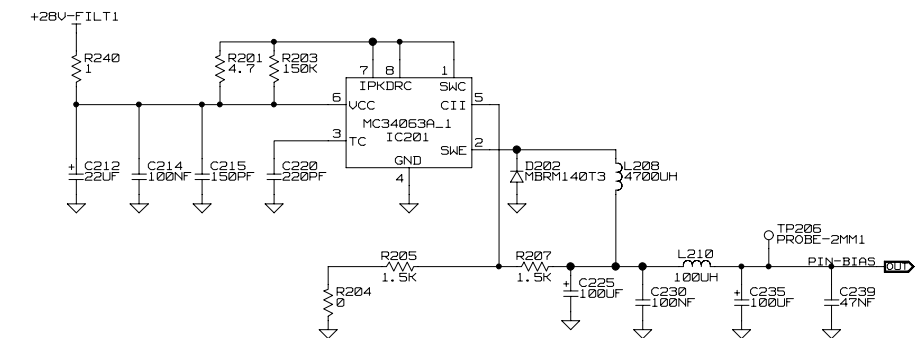
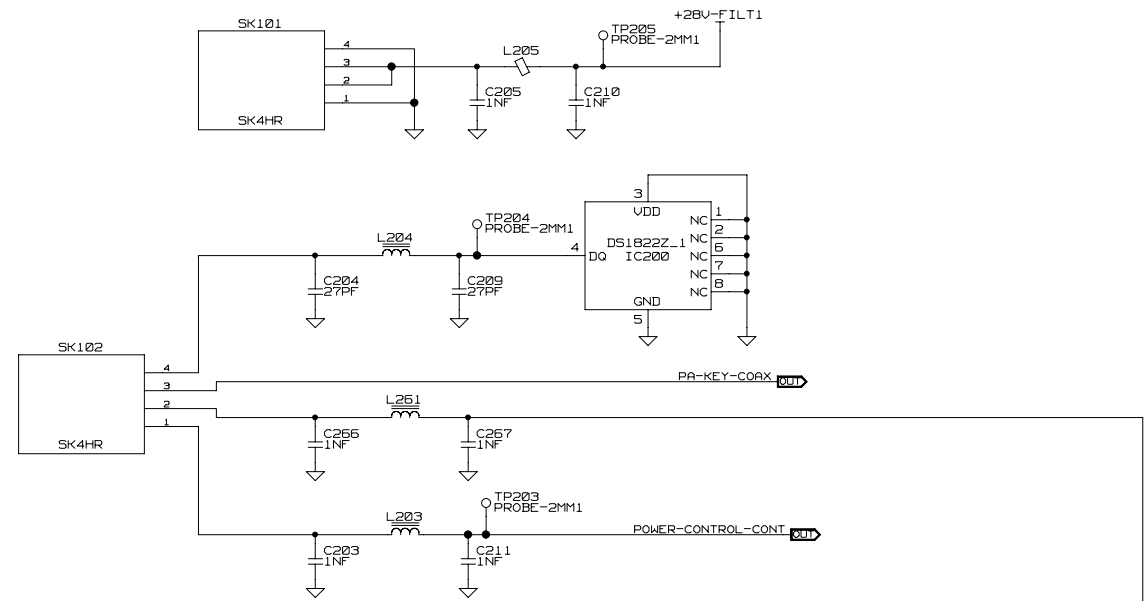


TOPBAD  
BADHARK

© TAIT ELECTRONICS		A1
T8000 6W MODULE		
IPN: 220-02001-01	ISSUE: A	VARIANT NUMBER: ?
ENGINEER: CN	FILE NAME: 0200101A	FILE DATE: 20/05/02
		SHEET NUMBER: 1 OF 2

01A	CLONED FROM 226-00200-05A	PG	-	?	?	20/05/02
REV/ISS	AMENDMENTS	DRAWN	CHKD	D. O.	APVD	DATE
1						

1 2 3 4 5 6 7 8 9 10 11 12 13 14



© TAIT ELECTRONICS A1  
 T8000  
 6W MODULE  
 IPN: 220-02001-01 ISSUE: A VARIANT NUMBER: ?  
 ENGINEER: FILE NAME: FILE DATE: SHEET NUMBER:  
 CN 0200101A 20/05/02 2 OF 2

01A	CLONED FROM 226-00200B-05A	PG	-	?	?	20/05/02
REV/ISS	AMENDMENTS	DRAWN	CHKD	D. O.	APVD	DATE

220\_02001\_01a PCB PRIMARY SIDE

